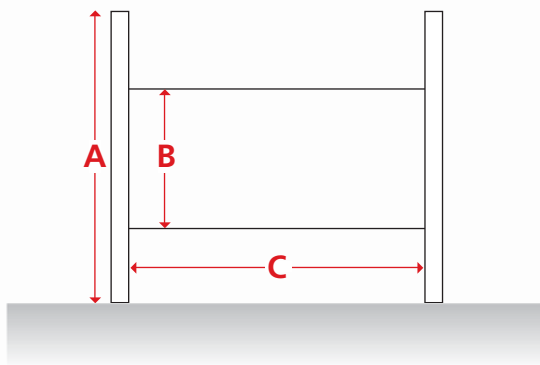


Standard Beaded Metal Cylinder Cardboard Reels



Description	Flange Diameter	Barrel Diameter	Traverse	Quantity / Pallet
150 x 75 x 75	150	75	75	1080
150 x 75 x 100	150	75	100	810
175 x 75 x 75	175	75	75	864
175 x 75 x 100	175	75	100	648
200 x 75 x 100	200	75	100	504
200 x 75 x 150	200	75	150	336
225 x 75 x 100	225	75	100	378
225 x 75 x 150	225	75	150	252
250 x 75 x 100	250	75	100	378
250 x 75 x 150	250	75	150	252
275 x 75 x 150	275	75	150	216
300 x 75 x 150	300	75	150	180
325 x 75 x 150	325	75	150	150
375 x 75 x 150	375	75	150	120

All measurements shown in mm



- A** Flange diameter
- B** Barrel diameter
- C** Traverse

In addition to our standard range we can supply Beaded Reels with different flange and barrel specifications.

We also manufacture:

- Hubbed Reels
- Cup Reels
- Metal Stamping Reels

Cup Reels and Metal Stamping Reels can be supplied in kit form. Reels can be supplied plain or printed with company logo.

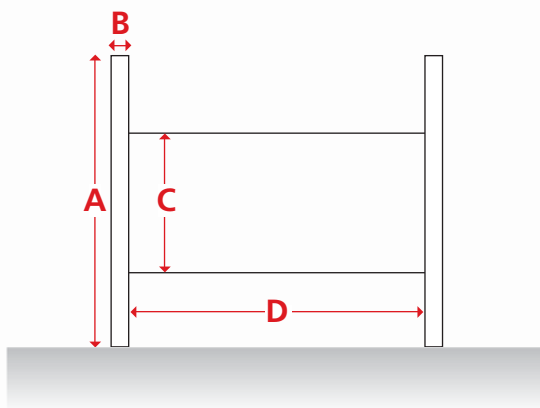
Standard Softwood Drums



Description A x B x C x D	Flange Thickness	Barrel Lag Thickness	Steel Rods Qty x Thickness	Cross Struts	Steel Plate	Quantity per Load
750 x 44 x 400 x 400	44	22	4 x 10	no	no	240
800 x 44 x 400 x 400	44	22	4 x 10	no	no	200
900 x 44 x 450 x 450	44	22	4 x 10	no	no	150
1000 x 44 x 500 x 500	44	22	4 x 10	no	no	113
1200 x 44 x 600 x 600	44	22	4 x 10	no	no	85
1400 x 50 x 700 x 700	50	25	4 x 12	no	no	42
1500 x 50 x 900 x 700	50	25	4 x 12	no	no	38
1600 x 64 x 1000 x 800	64	32	6 x 16	yes	200 x 200	34
1700 x 64 x 1000 x 800	64	32	6 x 16	yes	200 x 200	26
1800 x 64 x 1000 x 800	64	32	6 x 16	yes	200 x 200	20
2000 x 64 x 1000 x 800	64	32	6 x 16	yes	200 x 200	16
2200 x 76 x 1200 x 800	76	38	6 x 16	yes	200 x 200	14

All measurements shown in mm

Description = Flange diameter x flange thickness x barrel diameter x traverse. Standard centre hole is 83mm.



- A** Flange diameter
- B** Flange thickness
- C** Barrel diameter
- D** Traverse

In addition to our standard range, Wooden Drums can also be manufactured to **Light Weight** or **Heavy Duty** specifications.

Heavy Duty Drums can be supplied with:

- Steel Tyres
- Full Plates
- Pressed Centre Tubes

Wooden Drums can be manufactured up to 6000mm in diameter. They can be painted or stencilled and supplied fully assembled or in kit form.

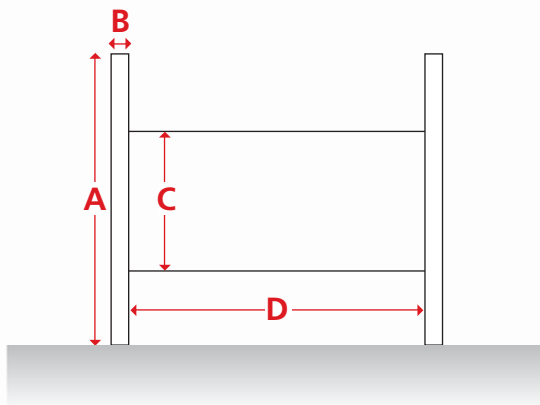
Bespoke Wooden Drums can also be supplied to customers own specifications.

Standard Plywood Reels



Description	Flange Diam	Barrel Diam	Traverse	Barrel Material	Quantity / Pallet	Flange Thickness	Construction
200 x 100 x 150	200	100	150	2mm Cardboard	250	6	MSR
300 x 150 x 150	300	100	150	2mm Cardboard	120	6	MSR
350 x 150 x 150	350	150	150	2mm Cardboard	96	6	MSR
400 x 200 x 200	400	200	200	4mm Cardboard	81	6	Tubed
500 x 250 x 250	500	250	250	3mm Plywood	63	8	Tubed
600 x 300 x 300	600	300	300	3mm Plywood	36	8 or 12	Tubed
750 x 350 x 350	750	350	350	3mm Plywood	20	8 or 12	Tubed
850 x 400 x 400	850	400	400	3mm Plywood	16	12	Tubed

All measurements shown in mm



- A** Flange diameter
- B** Flange thickness
- C** Barrel diameter
- D** Traverse

In addition to our standard range we can manufacture Plywood Reels to customers own specifications.

We can supply Plywood Reels with barrels in the following materials:

- Cardboard
- Plywood
- PVC
- Steel
- Timber

Plywood Reels can be printed with company logo and supplied fully assembled or in kit form.